

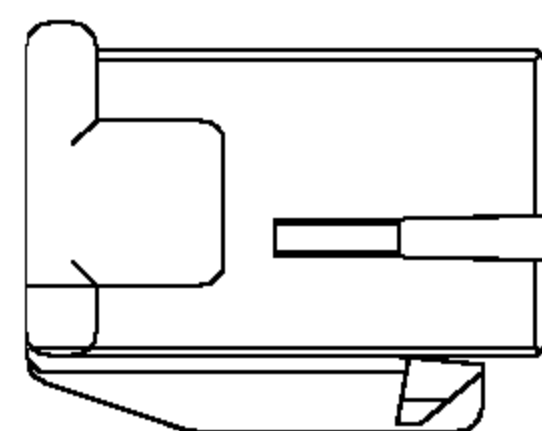
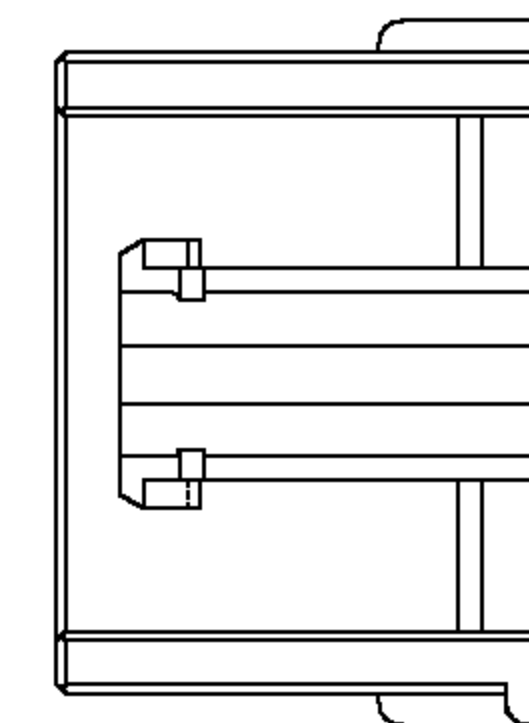
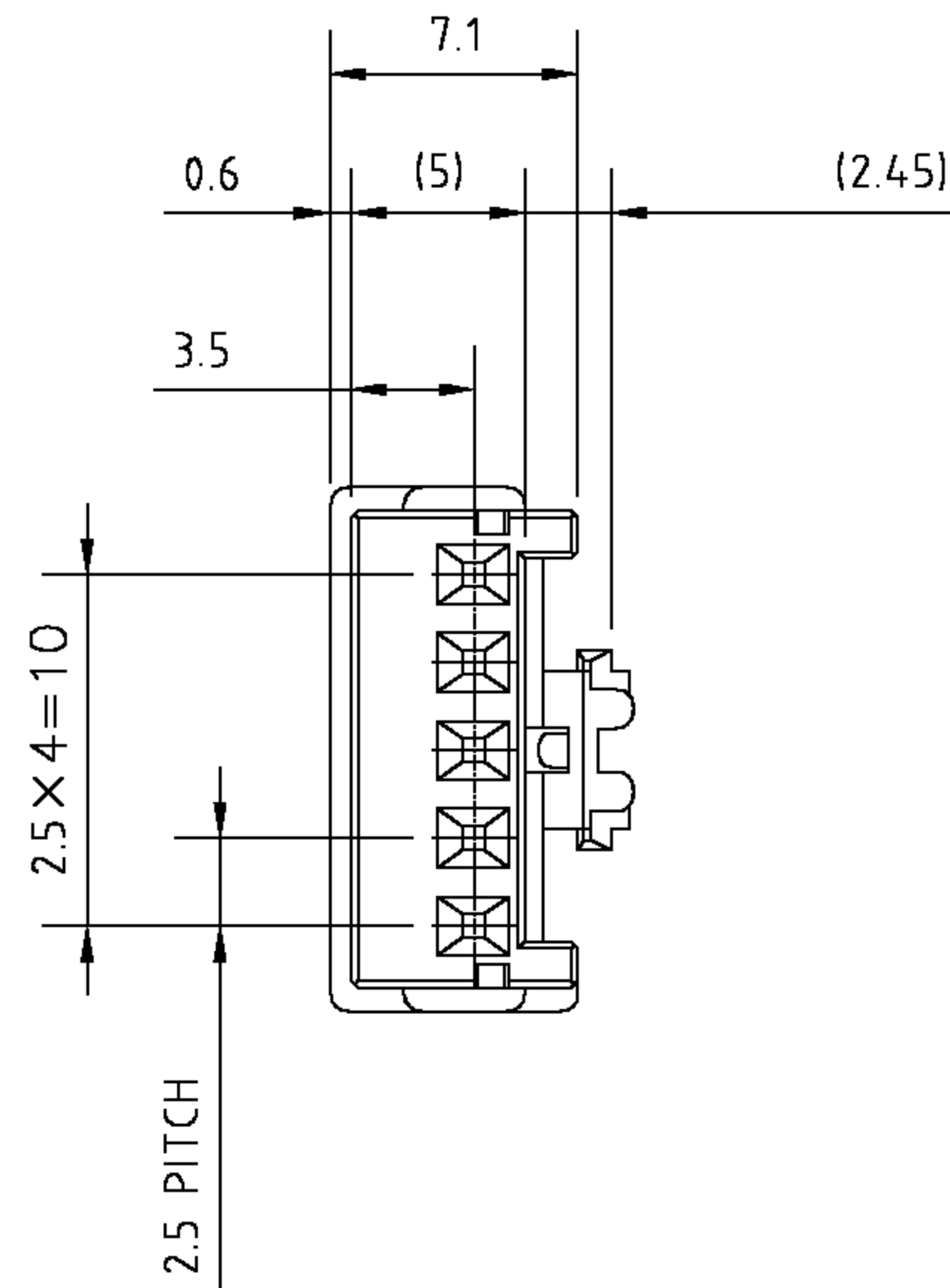
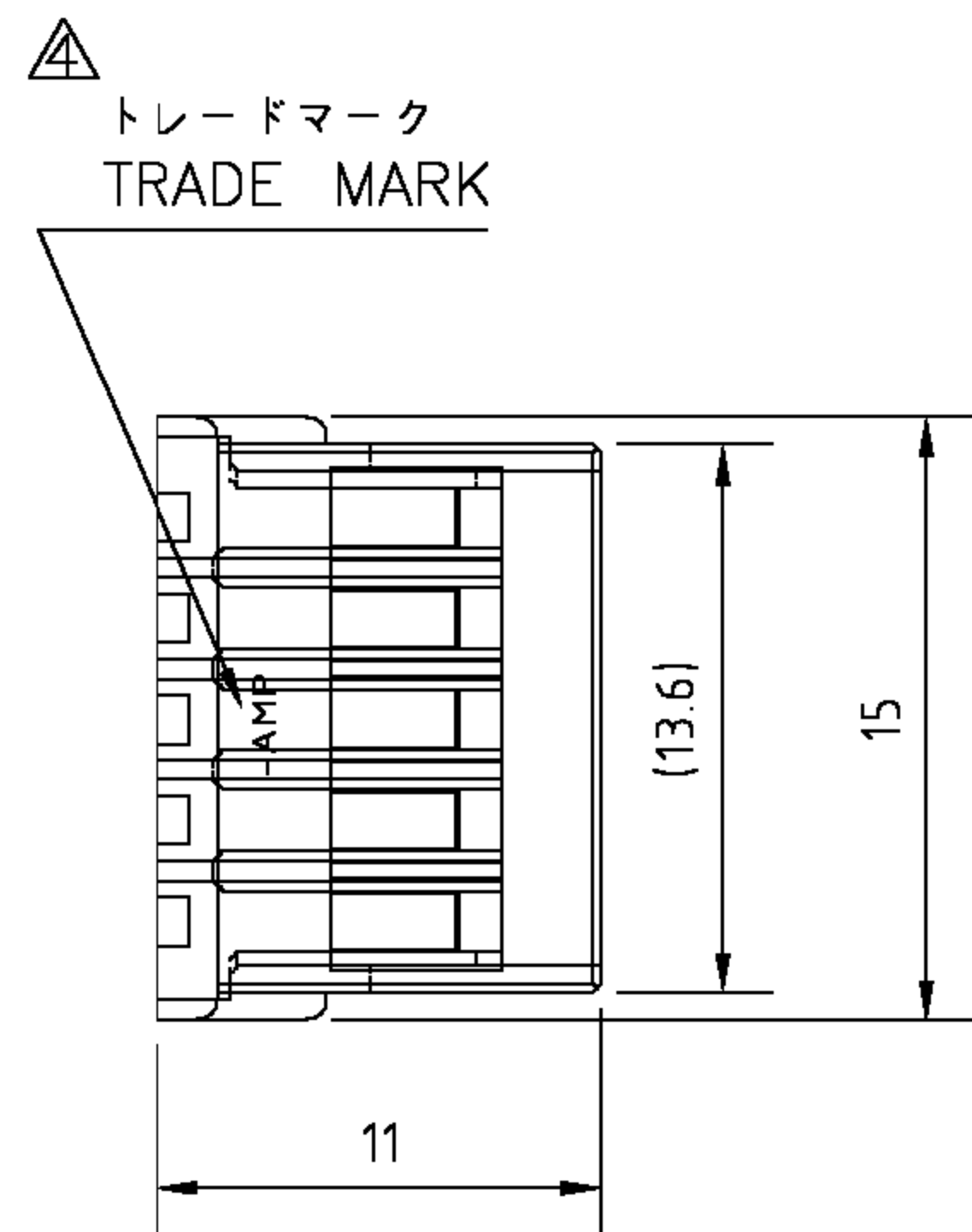
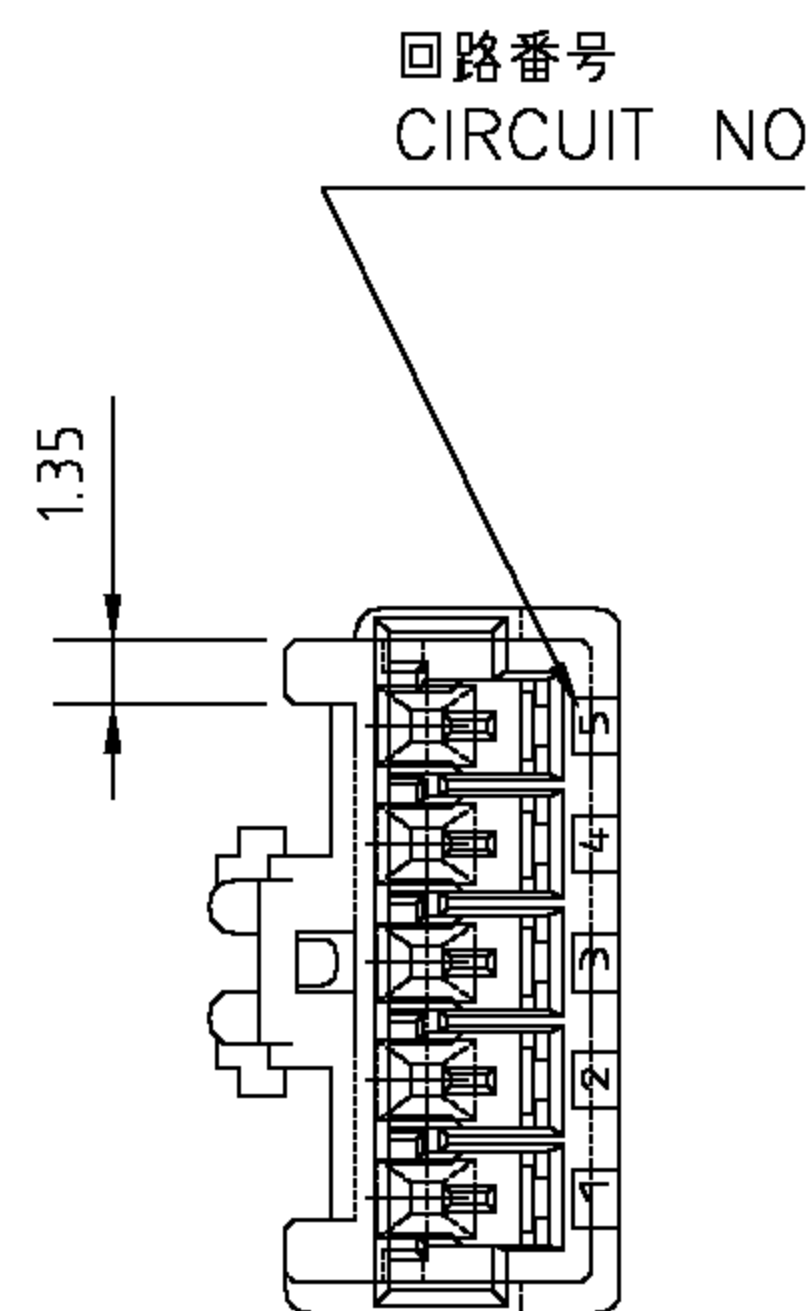
THIS DRAWING IS UNPUBLISHED.

RELEASED FOR PUBLICATION

© COPYRIGHT

ALL RIGHTS RESERVED.

LOC	DIST	REVISIONS						
		P	LTR	DESCRIPTION	DATE	DWN	APVD	
J	-			D1	REVISED PER ECO-11-005140	30MAR11	RK	HMR
				D2	REVISED PER ECR-13-018171	20NOV13	AZ	DZ



注記;

- ① 材料; 66ナイロン (UL94V-0)
- ② 製品規格; 108-5459
- ③ 取付適用規格; 114-5203
- ④ 表1 参照
- 5. 取扱説明書; 411-5771

NOTES;

- ① MATERIAL; 66 NYLON (UL94V-0)
- ② PRODUCT SPEC; 108-5459-8
- ③ APPLICATION SPEC; 114-5203
- ④ SEE TABLE 1
- 5. INSTRUCTION SHEET; 411-5771
- 6. PART 5-917689-1 COMPLY WITH GLOW WIRE REQUIREMENT FOR PARTS OF NON-METALLIC MATERIAL SUPPORTING A CURRENT CARRYING CONNECTION DETAILED IN IEC 60335-1, SECTION 30(GWT)

表1  
TABLE 1

トレードマーク TRADE MARK	生産場所 MANUFACTURING PLACE
- AMP OR AMP	日本 JAPAN
-+AMP OR AMP	中国 CHINA(PRC)

自然色 NATURAL	5-917689-1	5
青 BLUE	917689-6	5
赤 RED	917689-2	5
自然色 NATURAL	917689-1	5
色調 COLOR	型番 PART NO.	極数 POS.

THIS DRAWING IS A CONTROLLED DOCUMENT.		DWN Y. NOGUCHI 12MAY95			
DIMENSIONS: 単位 MM		CHK Y. KASHIWA 12MAY95			
TOLERANCES UNLESS OTHERWISE SPECIFIED: 一般公差		APVD Y. KASHIWA 12MAY95	NAME 名称		
		PRODUCT SPEC 製品規格	2.5mm シグナルダブルロック 5極 プラグハウジング 2.5mm SIGNAL DBL-LOCK 5P PLUG HOUSING		
10 ≥ : ±0.2 30 ≥ > 10 : ±0.25 100 ≥ > 30 : ±0.3		APPLICATION SPEC 取付適用規格	SIZE	CAGE CODE	DRAWING NO 番号
ANGLES ±0.3°		WEIGHT -	A3	00779	C-917689
MATERIAL 材料		FINISH 仕上	RESTRICTED TO		
④ SEE NOTE			SCALE 尺度 3-1		
		CUSTOMER DRAWING			SHEET 1 OF 1
					REV D2